

# PUMP SPECIFICATION: CP4SP PLUS 230 V 50 Hz

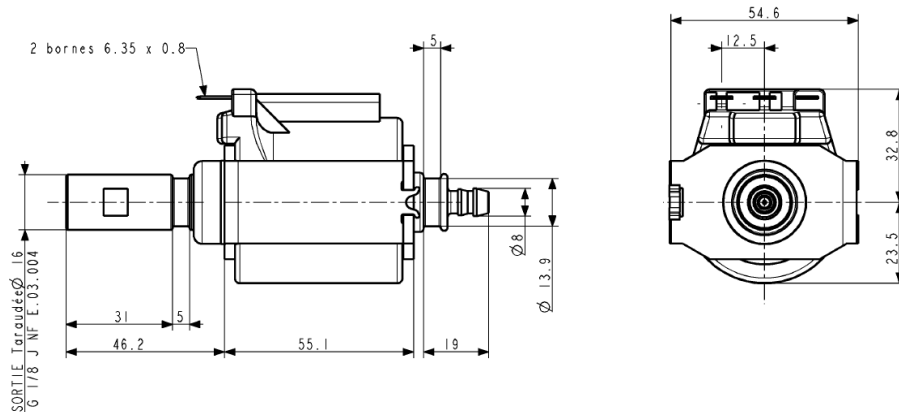
**Pump:** CP4SP PLUS

**Voltage:** 230-240 V

**Frequency:** 50 Hz

**Power rating:** 65 W

**Lay-out drawing for dimensional purpose:**



## Materials used:

- *Hydraulic body:* PA66 + 30% GF hydrolysis stabilized
- *Coil encapsulation:* special unreinforced PA66 compound GWT and GWFI approved. UL yellow card
- *Metallic internal components:* special magnetic stainless steel
- *Rubber components:* special EPDM compound food approved and peroxide stabilized
- *Electrical connections:* 6.3 x 0.8 tin plated fast-on terminals
- *Internal diode:* included

## Approvals:

- *Safety:* KEMA – DEKRA according EN 60335-1 & EN 60335-2-41 standard. Without thermostat only for ATTENDED USE



- *Food approvals:* EPH file (UL provided) according NSF 169 and FDA Food code



- *Food approvals:* LFGB (provided by TUV Germany) according Regulation EC No 1935/2004



- *Electrical insulation:* Live parts to water – CLASS II  
Live parts to metal – CLASS I

- All products are Rohs compliant



# PUMP SPECIFICATION: CP4SP PLUS 230 V 50 Hz

## Functional characteristics:

- *Working fluid:* potable water  $T_m$  35 °C
- *Duty cycle:* 1 min ON – 1 min OFF at 230 V 50 Hz  
1 min ON – 1.5 min OFF at 240 V 50 Hz
- *Heating test:* Class 155 according the standard EN 60335-1
- *Suction power:* 100 mbar Min. Self priming without backpressure on the outlet side
- *Dry working:* only allowed during the self priming phase
- *Thermostat (for unattended application):* any UL, KEMA/DEKRA or VDE approved thermostat

## Flow graph:

